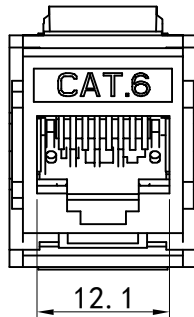
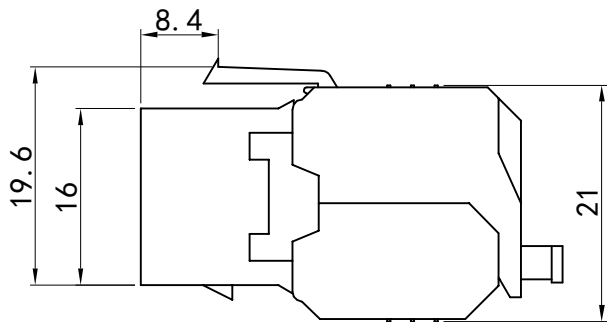
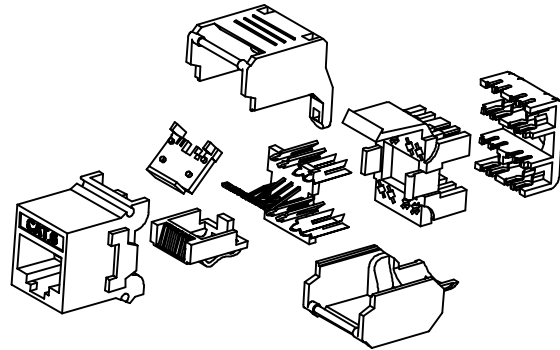
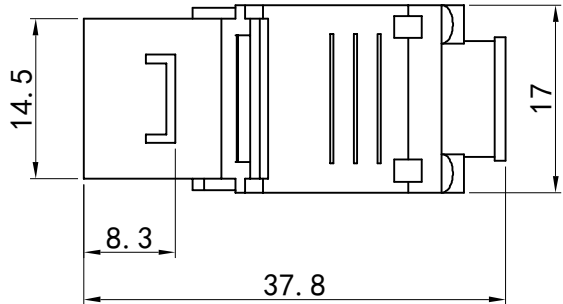


REVISION RECORD				
REV	ECO	DESCRIPTION	DRFT	CHKD



MECHANICAL

1. HOUSING MATERIAL: PC UL 94V-0
2. INSERT MATERIAL : FLAME RETARDANT ABS UL94V-0
3. PCB MATERIAL : FR-4 THINKNESS:1.6MM
4. CONTACT MATERIAL: PHOSPHOR BRONZE T=0.35MM 8P8C 3u"Gold Plated
5. IDC CONTACT : PHOSPHOR BRONZE T=0.50MM WITH NICKEL PLATING
6. RJ45 JACK LIFE: 750 TIMES MIN
7. IDN LIFE : 200 TIMES MIN
8. WIRE : AWG 24-26
9. RETENTIVENESS OF INSERTION STRUCTURE: 50N 60±5s

DETACHED LISTS	MM (INCH)		DFTO	DATE	Shenzhen Copperled Technology Co.,Ltd
	TOLERANCES EXCEPT AS NOTED		CHKD	DATE	
			MFO	DATE	
			APPLY	DATE	
MM		±	MATERIAL :		TITLE
.0 ±0.10		±	QT'Y :		UTP Cat.6 Keystone jack 180 degree black
.00 ±0.01		±	FINISH :		DRAWING NO.
.000 ±0.005		±	SCALE :		/PART NO. CL-KJU-C617
ANGLES ±			DO NOT SCALE DRAWING		SIZE A4
 THIRD ANGLE PROJECTION			SHEET OF		REV

8 7 6 5 4 3 2 1