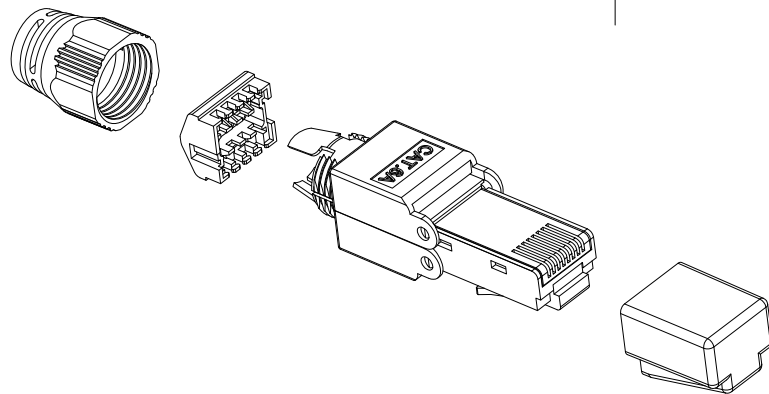
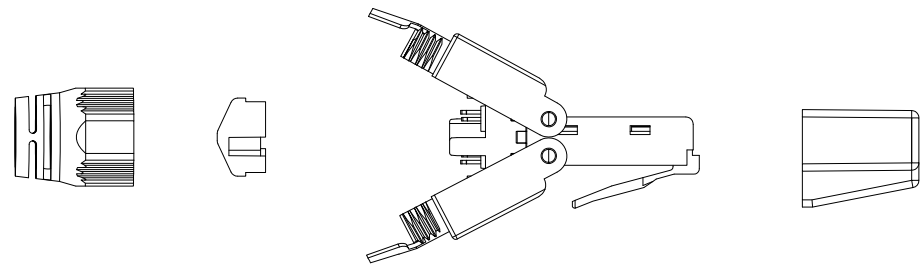
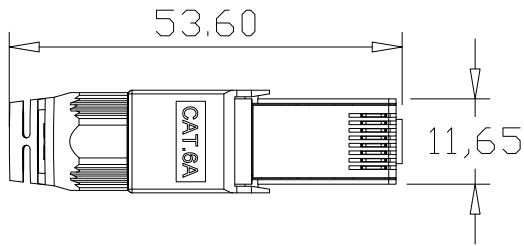
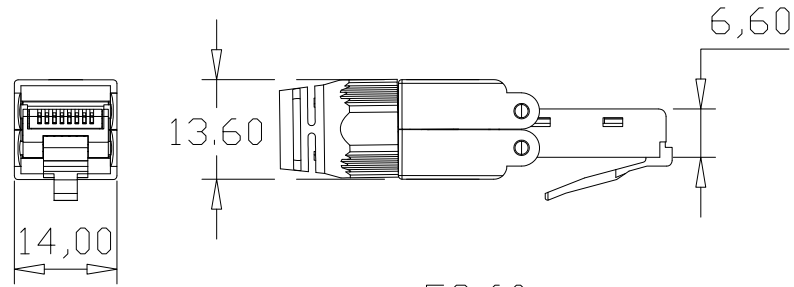


**CAT6A Class EA RJ45 plug to be assembled in the field**

- FTP TYPE: 1 piece Design
- Easy Assembly - easily terminated in the field in 2 minute without any special tools
- Operation temperature:-40°C to 60°C, Relative humidity: 85%(30°C), Air pressure: 70-106Kpa.
- Gold Plated Phosphor Bronze Blade: phosphor bronze and gold plating (3~50inch), mating durability not less than 750 cycles ;
- Anti-burn performance: product made from Kirsite \ PC
- Intermediate resistance: no more than 20m ohm in normal atmosphere pressure (not including bulk resistor) ;
- Insulated resistance: no less than 1,000M ohm in normal atmosphere pressure ;
- Intensity of anti-currency: DC 1,000V (AC,700V), no puncture and flash-over phenomenon in one minute ;
- Retention strength: 7.7kg between jack and plug.
- Label: clear label to ensure easy to management ;
- Cable Jacket Diameter from 6 to 8.3 mm



TITLE:							
	INCH	MM					
.X	.015	.30	TITLE: CAT6A PLUG				
.XX	.010	.10					
.XXX	.005	.05					
DRAWN BY	MA		P/N: CL-IPF-C6A03				
CHECK BY			SCALE	1:1		REV	
			UNIT	MM			
APPD BY			SHEET	1/1		DWG NO:	
			DATE	2023/03/07			